



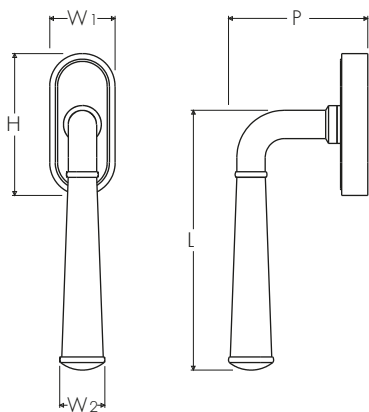
ATELIER BONOMI

Drehkipp per Finestra Serie Opera
Opera Series Drehkipp Window Handle

Dimensioni
Dimensions

L	P	W 2	W 1	H
138	73	24	35	75

Dimensioni in millimetri
Dimensions given in millimeters



Fornito con meccanismo DK q.7x45mm e viti M5x50.
Disponibile in tutte le finiture standard.

Dimensioni e finiture su misura disponibili su richiesta.

Regularly furnished with DK mechanism q.7x45mm and M5x50 screws.
Additional sizes available by special order. Available in standard and custom finishes.